

# PARTS LIST

## CAUTION

- The parts identified by the  $\triangle$  symbol are important for the safety . Whenever replacing these parts, be sure to use specified ones to secure the safety .
- The parts not indicated in this Parts List and those which are filled with lines --- in the Parts No. columns will not be supplied .
- P. W. Board Ass'y will not be supplied, but those which are filled with the Parts No. in the Parts No. columns will be supplied .

## ABBREVIATIONS OF RESISTORS, CAPACITORS

### RESISTOR

RC..... CARBON RESISTOR

### CAPACITORS

CC..... CERAMIC CAPACITOR  
 CE..... ALUMI ELECTROLYTIC CAPACITOR  
 CP..... POLYESTER CAPACITOR  
 CPP..... POLYPROPYLENE CAPACITOR  
 CPL..... PLASTIC CAPACITOR  
 CMP..... METAL POLYESTER CAPACITOR  
 CMPL..... METAL PLASTIC CAPACITOR  
 CMPP..... METAL POLYPROPYLENE CAPACITOR

## CONTENTS

- USING P.W. BOARD ..... 20
- MECHANICAL REPLACEMENT PARTS LIST ..... 21
- MECHANICAL EXPLODED VIEW ..... 22
- ELECTRICAL REPLACEMENT PARTS LIST ..... 23
- PACKING & ACCESSORY REPLACEMENT PARTS LIST ..... 29

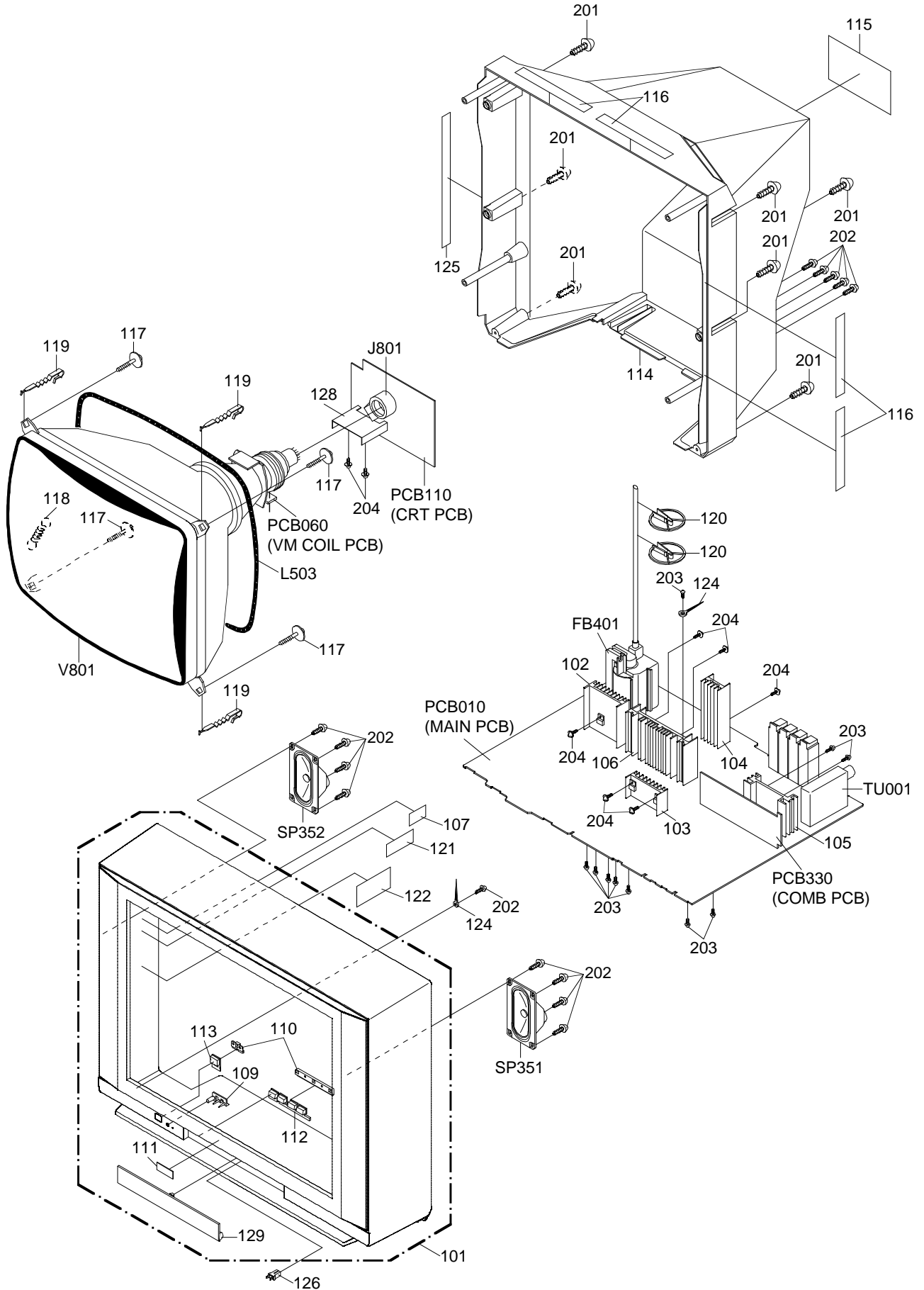
## USING P.W. BOARD

Model	AV-24F702
P.W.B ASS'Y	
MAIN PCB ASS'Y	X-A3J503Q01A
VM COIL PCB ASS'Y	X-A3J503Q06A
CRT PCB ASS'Y	X-A3J503Q11A
COMB FILTER ASS'Y	X-A3J503Q33A

## MECHANICAL REPLACEMENT PARTS LIST

REF. NO.	PART NO.	DESCRIPTION	
101	X-A3J503Q720	CABINET,FRONT ASSY	
102	X-763WAA0181	HEAT SINK	
103	X-763WAA0200	HEAT SINK	
104	X-763WAA0214	HEAT SINK	
105	X-763WAA0215	HEAT SINK	
106	X-763WAA0216	HEAT SINK	
107	X-7230006818	SHEET,CAUTION	
109	X-713WPA0140	GLASS,LED	
110	X-735WPA0538	BUTTON,HOLDER	
111	X-7235380003	BRAND,BADGE	
112	X-735WPA0539	BUTTON,CHANNEL/VOLUME	
113	X-735WPB0102	BUTTON,POWER	
114	X-702WPA0800	CABINET,BACK	
115	X-7225380006	SHEET,RATING	
116	X-800WQ00039	FELT SHEET	
117	X-8111J50D04	SCREW,TAPPING(A) GW22	5x40
118	X-741WUA0001	SPRING,EARTH	
119	X-762WPA0011	HOLDER,CRT WIRE	
120	X-899HV3T000	HOLDER,ANODE WIRE	
121	X-7220001107	SHEET,HWC	
122	X-7220001119	SHEET,CSA WARNING	
124	X-8995034000	CORD CLIP UL CO.	
125	X-800WQ00068	FELT SHEET	
126	X-890LA20000	NC LATCH(LA-2)	
127	X-712WPB0066	DOOR	
128	X-763WSA0018	HEAT SINK	
201	X-8117540A64	SCREW,TAPPING(B0) TRUSS	4x16
202	X-8110630A04	SCREW,TAP TITE(P) BRAZIER	3x10
203	X-8109630802	SCREW,TAP TITE(B) BRAZIER	3x8
204	X-8109130A04	SCREW,TAP TITE(B) WH7	3x10

### MECHANICAL EXPLODED VIEW



## ELECTRICAL REPLACEMENT PARTS LIST

REF. NO.	PART NO.	DESCRIPTION	REF. NO.	PART NO.	DESCRIPTION	
		<b>RESISTORS</b>			<b>RESISTORS</b>	
△ R001	X-R3X181273J	R,METAL OXIDE	R325	X-R801R7182J	RC	1.8K OHM 1/10W
R006	X-R801R7271J	RC	R326	X-R002T4101J	RC	100 OHM 1/4W
R007	X-R801R7271J	RC	R327	X-R801R7104J	RC	100K OHM 1/10W
R101	X-R801R7561J	RC	R328	X-R801R7101J	RC	100 OHM 1/10W
R102	X-R801R7102J	RC	R330	X-R002T4103J	RC	10K OHM 1/4W
R103	X-R801R7105J	RC	R331	X-R801R7103J	RC	10K OHM 1/10W
R104	X-R801R7561J	RC	R332	X-R801R7103J	RC	10K OHM 1/10W
R106	X-R801R7153J	RC	R335	X-R002T4102J	RC	1K OHM 1/4W
R107	X-R002T4102J	RC	R355	X-R801R7331J	RC	330 OHM 1/10W
R108	X-R801R7222J	RC	R356	X-R801R7331J	RC	330 OHM 1/10W
R109	X-R002T4222J	RC	R357	X-R002T2391J	RC	390 OHM 1/2W
R110	X-R801R7103J	RC	R358	X-R002T2391J	RC	390 OHM 1/2W
R111	X-R801R7470J	RC	R360	X-R801R7103J	RC	10K OHM 1/10W
R112	X-R801R7103J	RC	R361	X-R801R7103J	RC	10K OHM 1/10W
R113	X-R801R7103J	RC	R362	X-R801R7103J	RC	10K OHM 1/10W
R114	X-R801R7222J	RC	R363	X-R801R7103J	RC	10K OHM 1/10W
R115	X-R801R7473J	RC	R401	X-R801R7102J	RC	1K OHM 1/10W
R116	X-R801R7222J	RC	R402	X-R801R7104J	RC	100K OHM 1/10W
R117	X-R801R7103J	RC	R403	X-R801R7331J	RC	330 OHM 1/10W
R118	X-R801R7103J	RC	R404	X-R002T2221J	RC	220 OHM 1/2W
R119	X-R801R7473J	RC	R405	X-R801R7562J	RC	5.6K OHM 1/10W
R121	X-R801R7472J	RC	R406	X-R002T2472J	RC	4.7K OHM 1/2W
R122	X-R801R7472J	RC	R407	X-R002T4562J	RC	5.6K OHM 1/4W
R123	X-R801R7472J	RC	R408	X-R002T4472J	RC	4.7K OHM 1/4W
R124	X-R801R7473J	RC	R409	X-R801R7102J	RC	1K OHM 1/10W
R125	X-R801R7473J	RC	△ R410	X-R5W1CE332J	R,CEMENT	3.3K OHM 7W
R126	X-R801R7272J	RC	△ R411	X-R6558AR39J	R,FUSE	0.39 OHM 2W
R127	X-R801R7102J	RC	R412	X-R801R7822J	RC	8.2K OHM 1/10W
R128	X-R002T4333J	RC	R413	X-R4X5T6123F	R,METAL	12K OHM 1/6W
R129	X-R801R7392J	RC	R414	X-R4X5T6273F	R,METAL	27K OHM 1/6W
R130	X-R801R7821J	RC	R415	X-R801R7821J	RC	820 OHM 1/10W
R131	X-R002T4103J	RC	△ R416	X-R002T25R6J	RC	5.6 OHM 1/2W
R132	X-R801R7333J	RC	R417	X-R801R7333J	RC	33K OHM 1/10W
R133	X-R801R7103J	RC	△ R418	X-R4X5T6223F	R,METAL	22K OHM 1/6W
R134	X-R801R7103J	RC	R419	X-R801R7102J	RC	1K OHM 1/10W
R136	X-R801R7472J	RC	△ R420	X-R002T22R2J	RC	2.2 OHM 1/2W
R138	X-R801R7102J	RC	R421	X-R002T2681J	RC	680 OHM 1/2W
R139	X-R002T4102J	RC	△ R422	X-R4X5T4104F	R,METAL	100K OHM 1/4W
R140	X-R801R7102J	RC	△ R423	X-R3X18A010J	R,METAL OXIDE	1 OHM 2W
R141	X-R002T4102J	RC	R425	X-R002T2681J	RC	680 OHM 1/2W
R142	X-R002T4103J	RC	△ R426	X-R4X5T6223F	R,METAL	22K OHM 1/6W
R148	X-R002T4102J	RC	R428	X-R002T4101J	RC	100 OHM 1/4W
R149	X-R002T4102J	RC	R429	X-R002T2681J	RC	680 OHM 1/2W
R150	X-R801R7472J	RC	R430	X-R002T2563J	RC	56K OHM 1/2W
R151	X-R801R7472J	RC	△ R431	X-R6558AR39J	R,FUSE	0.39 OHM 2W
R152	X-R801R7102J	RC	R432	X-R002T2822J	RC	8.2K OHM 1/2W
R154	X-R801R7103J	RC	△ R434	X-R5W2CF1R8J	R,CEMENT	1.8 OHM 10W
R201	X-R801R7102J	RC	△ R435	X-R801R7821J	RC	820 OHM 1/10W
R202	X-R801R7102J	RC	△ R436	X-R4X5T6822F	R,METAL	T/B 8.2K OHM 1/6W
R203	X-R801R7122J	RC	R437	X-R002T2010J	RC	1 OHM 1/2W
R204	X-R801R7221J	RC	△ R438	X-R6558A3R3J	R,FUSE	3.3 OHM 2W
R205	X-R801R7101J	RC	△ R439	X-R3X181102J	R,METAL OXIDE	1K OHM 1W
R209	X-R801R7333J	RC	△ R441	X-R4X5T6562F	R,METAL	5.6K OHM 1/6W
R210	X-R801R7151J	RC	R442	X-R801R7222J	RC	2.2K OHM 1/10W
R211	X-R801R7222J	RC	R443	X-R002T2683J	RC	68K OHM 1/2W
R212	X-R801R7332J	RC	△ R500	X-R0G3K2275K	RC	2.7M OHM 1/2W
R213	X-R801R7331J	RC	△ R501	X-R5W2CE1R2J	R,CEMENT	1.2 OHM 7W
R214	X-R801R7271J	RC	R502	X-R002T2270J	RC	27 OHM 1/2W
R215	X-R801R7471J	RC	R503	X-R002T4332J	RC	3.3K OHM 1/4W
R217	X-R801R7682J	RC	R504	X-R801R7681J	RC	680 OHM 1/10W
R218	X-R801R7222J	RC	△ R505	X-R3X20B473J	R,METAL	47K OHM 3W
R219	X-R801R7471J	RC	R506	X-R002T4222J	RC	2.2K OHM 1/4W
R220	X-R801R7680J	RC	R508	X-R002T4272J	RC	2.7K OHM 1/4W
R221	X-R002T4221J	RC	R509	X-R002T2104J	RC	100K OHM 1/2W
R223	X-R801R7151J	RC	R510	X-R801R7102J	RC	1K OHM 1/10W
R301	X-R801R7203J	RC	R511	X-R801R7223J	RC	22K OHM 1/10W
R302	X-R801R7203J	RC	R515	X-R002T4103J	RC	10K OHM 1/4W
R303	X-R801R7203J	RC	△ R517	X-R5W2CE010J	R,CEMENT	1 OHM 7W
R304	X-R801R7203J	RC	R519	X-R002T4102J	RC	1K OHM 1/4W
R305	X-R801R7103J	RC	R520	X-R002T4391J	RC	390 OHM 1/4W
R314	X-R801R7822J	RC	△ R521	X-R3X18A270J	R,METAL OXIDE	27 OHM 2W
R319	X-R801R7472J	RC	△ R522	X-R3X18A270J	R,METAL OXIDE	27 OHM 2W
R320	X-R801R7822J	RC	R523	X-R002T4103J	RC	10K OHM 1/4W
R321	X-R801R7472J	RC	R524	X-R801R7222J	RC	2.2K OHM 1/10W
R322	X-R801R7103J	RC	R525	X-R801R7103J	RC	10K OHM 1/10W
R323	X-R801R7103J	RC	R528	X-R002T4124J	RC	120K OHM 1/4W
R324	X-R801R7182J	RC	R529	X-R002T4562J	RC	5.6K OHM 1/4W

REF. NO.	PART NO.	DESCRIPTION	REF. NO.	PART NO.	DESCRIPTION
		<b>RESISTORS</b>			<b>RESISTORS</b>
R531	X-R002T222J	RC 2.2K OHM 1/2W	R810	X-R801R7182J	RC 1.8K OHM 1/10W
R532	X-R801R7332J	RC 3.3K OHM 1/10W	R811	X-R801R7182J	RC 1.8K OHM 1/10W
R533	X-R801R7182J	RC 1.8K OHM 1/10W	R812	X-R801R7182J	RC 1.8K OHM 1/10W
△ R542	X-R33681R15J	R,METAL 0.15OHM 1W	R813	X-R801R7221J	RC 220 OHM 1/10W
△ R543	X-R635U2681J	R,FUSE 680 OHM 1/2W	R814	X-R801R7221J	RC 220 OHM 1/10W
R553	X-R002T2183J	RC 18K OHM 1/2W	R815	X-R801R7221J	RC 220 OHM 1/10W
R554	X-R002T2273J	RC 27K OHM 1/2W	R816	X-R002T4470J	RC 47 OHM 1/4W
R601	X-R801R7184J	RC 180K OHM 1/10W	R817	X-R801R7221J	RC 220 OHM 1/10W
R602	X-R801R7102J	RC 1K OHM 1/10W	R819	X-R801R7221J	RC 220 OHM 1/10W
R603	X-R801R7332J	RC 3.3K OHM 1/10W	R821	X-R801R7221J	RC 220 OHM 1/10W
R604	X-R801R7471J	RC 470 OHM 1/10W	R828	X-R002T4272J	RC 2.7K OHM 1/4W
R605	X-R801R7103J	RC 10K OHM 1/10W	R829	X-R002T4272J	RC 2.7K OHM 1/4W
R607	X-R801R7222J	RC 2.2K OHM 1/10W	R830	X-R002T4272J	RC 2.7K OHM 1/4W
R608	X-R002T4271J	RC 270 OHM 1/4W	R851	X-R002T2121J	RC 120 OHM 1/2W
R609	X-R801R7101J	RC 100 OHM 1/10W	R852	X-R801R7222J	RC 2.2K OHM 1/10W
R610	X-R801R7272J	RC 2.7K OHM 1/10W	R853	X-R801R7223J	RC 22K OHM 1/10W
R611	X-R801R7101J	RC 100 OHM 1/10W	R854	X-R801R7333J	RC 33K OHM 1/10W
R612	X-R801R7272J	RC 2.7K OHM 1/10W	R855	X-R002T2331J	RC 330 OHM 1/2W
R613	X-R801R7101J	RC 100 OHM 1/10W	R856	X-R801R7102J	RC 1K OHM 1/10W
R614	X-R801R7272J	RC 2.7K OHM 1/10W	R857	X-R002T2471J	RC 470 OHM 1/2W
R615	X-R801R7182J	RC 1.8K OHM 1/10W	R858	X-R801R7101J	RC 100 OHM 1/10W
R616	X-R801R7101J	RC 100 OHM 1/10W	R859	X-R801R7272J	RC 2.7K OHM 1/10W
R617	X-R801R7101J	RC 100 OHM 1/10W	R860	X-R801R7330J	RC 33 OHM 1/10W
R618	X-R801R7184J	RC 180K OHM 1/10W	R861	X-R801R7333J	RC 33K OHM 1/10W
R619	X-R801R7333J	RC 33K OHM 1/10W	R862	X-R801R7392J	RC 3.9K OHM 1/10W
R623	X-R801R7103J	RC 10K OHM 1/10W	R863	X-R801R7392J	RC 3.9K OHM 1/10W
R624	X-R801R7155J	RC 1.5M OHM 1/10W	R864	X-R801R7393J	RC 39K OHM 1/10W
R625	X-R801R7124J	RC 120K OHM 1/10W	R865	X-R801R7563J	RC 56K OHM 1/10W
R632	X-R801R7154J	RC 150K OHM 1/10W	R866	X-R002T4222J	RC 2.2K OHM 1/4W
R635	X-R002T4333J	RC 33K OHM 1/4W	R867	X-R002T2100J	RC 10 OHM 1/2W
R636	X-R801R7222J	RC 2.2K OHM 1/10W	R868	X-R002T4820J	RC 82 OHM 1/4W
R701	X-R801R7221J	RC 220 OHM 1/10W	R869	X-R002T4820J	RC 82 OHM 1/4W
R702	X-R002T4820J	RC 82 OHM 1/4W	R870	X-R002T4152J	RC 1.5K OHM 1/4W
R705	X-R002T4820J	RC 82 OHM 1/4W	R871	X-R002T4152J	RC 1.5K OHM 1/4W
R707	X-R002T4820J	RC 82 OHM 1/4W	R872	X-R002T4122J	RC 1.2K OHM 1/4W
R708	X-R002T4820J	RC 82 OHM 1/4W	R873	X-R002T4683J	RC 68K OHM 1/4W
R711	X-R801R7392J	RC 3.9K OHM 1/10W	R874	X-R002T4683J	RC 68K OHM 1/4W
R715	X-R801R7102J	RC 1K OHM 1/10W	R875	X-R002T4122J	RC 1.2K OHM 1/4W
R716	X-R801R7471J	RC 470 OHM 1/10W	R876	X-R002T4123J	RC 12K OHM 1/4W
R718	X-R002T4820J	RC 82 OHM 1/4W	R877	X-R002T2680J	RC 68 OHM 1/2W
R719	X-R801R7221J	RC 220 OHM 1/10W	R878	X-R002T2680J	RC 68 OHM 1/2W
R721	X-R801R7102J	RC 1K OHM 1/10W	R879	X-R002T22R7J	RC 2.7 OHM 1/2W
R722	X-R801R7152J	RC 1.5K OHM 1/10W	R880	X-R002T22R7J	RC 2.7 OHM 1/2W
R723	X-R801R7471J	RC 470 OHM 1/10W	R881	X-R3X18A560J	R,METAL OXIDE 56 OHM 2W
R724	X-R801R7332J	RC 3.3K OHM 1/10W	R901	X-R801R7103J	RC 10K OHM 1/10W
R725	X-R801R7332J	RC 3.3K OHM 1/10W	R903	X-R801R7123J	RC 12K OHM 1/10W
R726	X-R801R7271J	RC 270 OHM 1/10W	R904	X-R801R7471J	RC 470 OHM 1/10W
R727	X-R801R7102J	RC 1K OHM 1/10W	R905	X-R801R7471J	RC 470 OHM 1/10W
R728	X-R801R7392J	RC 3.9K OHM 1/10W	R906	X-R801R7224J	RC 220K OHM 1/10W
R730	X-R801R7224J	RC 220K OHM 1/10W	R907	X-R002T4101J	RC 100 OHM 1/4W
R731	X-R801R7224J	RC 220K OHM 1/10W	R908	X-R002T4101J	RC 100 OHM 1/4W
R732	X-R801R7392J	RC 3.9K OHM 1/10W	R917	X-R801R7103J	RC 10K OHM 1/10W
R734	X-R801R7392J	RC 3.9K OHM 1/10W	R918	X-R801R7103J	RC 10K OHM 1/10W
R736	X-R801R7102J	RC 1K OHM 1/10W	R919	X-R801R7102J	RC 1K OHM 1/10W
R737	X-R801R7224J	RC 220K OHM 1/10W	R921	X-R801R7821J	RC 820 OHM 1/10W
R738	X-R801R7224J	RC 220K OHM 1/10W	R922	X-R801R7102J	RC 1K OHM 1/10W
R739	X-R801R7392J	RC 3.9K OHM 1/10W	R923	X-R801R7681J	RC 680 OHM 1/10W
R740	X-R801R7392J	RC 3.9K OHM 1/10W	R924	X-R801R7182J	RC 1.8K OHM 1/10W
R743	X-R002T4820J	RC 82 OHM 1/4W	R928	X-R801R7101J	RC 100 OHM 1/10W
R747	X-R801R7750J	RC 75 OHM 1/10W	R929	X-R801R7102J	RC 1K OHM 1/10W
R750	X-R801R7750J	RC 75 OHM 1/10W	R930	X-R002T4101J	RC 100 OHM 1/4W
R751	X-R801R7102J	RC 1K OHM 1/10W	R931	X-R801R7101J	RC 100 OHM 1/10W
R752	X-R801R7102J	RC 1K OHM 1/10W	R932	X-R801R7101J	RC 100 OHM 1/10W
R755	X-R801R7750J	RC 75 OHM 1/10W	R935	X-R801R7822J	RC 8.2K OHM 1/10W
R756	X-R801R7471J	RC 470 OHM 1/10W	R936	X-R801R7123J	RC 12K OHM 1/10W
R757	X-R801R7471J	RC 470 OHM 1/10W	R937	X-R801R7821J	RC 820 OHM 1/10W
R758	X-R801R7471J	RC 470 OHM 1/10W	R938	X-R801R7561J	RC 560 OHM 1/10W
R778	X-R002T4103J	RC 10K OHM 1/4W	R939	X-R801R7821J	RC 820 OHM 1/10W
R781	X-R801R7122J	RC 1.2K OHM 1/10W	R940	X-R801R7561J	RC 560 OHM 1/10W
R786	X-R002T4101J	RC 100 OHM 1/4W	R941	X-R801R7332J	RC 3.3K OHM 1/10W
R801	X-R002T4101J	RC 100 OHM 1/4W	R942	X-R801R7332J	RC 3.3K OHM 1/10W
R802	X-R002T4101J	RC 100 OHM 1/4W	R943	X-R801R7123J	RC 12K OHM 1/10W
R803	X-R002T4101J	RC 100 OHM 1/4W	R944	X-R801R7682J	RC 6.8K OHM 1/10W
△ R804	X-R3X18A123J	R,METAL OXIDE 12K OHM 2W	R945	X-R801R7123J	RC 12K OHM 1/10W
△ R806	X-R3X18A123J	R,METAL OXIDE 12K OHM 2W	R946	X-R801R7682J	RC 6.8K OHM 1/10W
△ R808	X-R3X18A123J	R,METAL OXIDE 12K OHM 2W	R947	X-R801R7101J	RC 100 OHM 1/10W
R809	X-R801R7101J	RC 100 OHM 1/10W	R948	X-R801R7101J	RC 100 OHM 1/10W

REF. NO.	PART NO.	DESCRIPTION	REF. NO.	PART NO.	DESCRIPTION
<b>RESISTORS</b>			<b>CAPACITORS</b>		
R949	X-R801R7101J	RC 100 OHM 1/10W	C306	X-CS0RB04L3K	CC 0.0033UF 50V B
R951	X-R801R7561J	RC 560 OHM 1/10W	C307	X-CS0RB04L3K	CC 0.0033UF 50V B
R952	X-R801R7561J	RC 560 OHM 1/10W	C308	X-CS0RB04L4K	CC 0.033 UF 50V B
R953	X-R801R7561J	RC 560 OHM 1/10W	C309	X-CS0RB04L4K	CC 0.033 UF 50V B
R954	X-R801R7561J	RC 560 OHM 1/10W	C310	X-E50HU2100M	CE 10 UF 16V
R955	X-R801R7561J	RC 560 OHM 1/10W	C311	X-E50HT2100M	CE 10 UF 16V
R956	X-R801R7102J	RC 1K OHM 1/10W	C312	X-E50HU2100M	CE 10 UF 16V
R957	X-R801R7473J	RC 47K OHM 1/10W	C313	X-E02LT2101M	CE 100 UF 16V
R958	X-R801R7122J	RC 1.2K OHM 1/10W	C314	X-E50HU2100M	CE 10 UF 16V
R959	X-R801R7101J	RC 100 OHM 1/10W	C325	X-CS0RB0315K	CC 0.1 UF 25V B
R960	X-R801R7122J	RC 1.2K OHM 1/10W	C326	X-E50HU2470M	CE 47 UF 16V
R961	X-R801R7821J	RC 820 OHM 1/10W	C328	X-E50HU52R2M	CE 2.2 UF 50V
R962	X-R801R7102J	RC 1K OHM 1/10W	C329	X-E50HU52R2M	CE 2.2 UF 50V
R963	X-R801R7221J	RC 220 OHM 1/10W	C330	X-CS0RB04H4K	CC 0.022 UF 50V B
R964	X-R801R7102J	RC 1K OHM 1/10W	C331	X-CS0RB04H4K	CC 0.022 UF 50V B
R965	X-R801R7101J	RC 100 OHM 1/10W	C332	X-CS0RB02Q5K	CC 0.47 UF 16V B
R966	X-R801R7473J	RC 47K OHM 1/10W	C333	X-CS0RB02Q5K	CC 0.47 UF 16V B
R967	X-R801R7682J	RC 6.8K OHM 1/10W	C334	X-CS0RB04L4K	CC 0.033 UF 50V B
R968	X-R801R7474J	RC 470K OHM 1/10W	C335	X-CS0RB04L4K	CC 0.033 UF 50V B
R970	X-R801R7101J	RC 100 OHM 1/10W	C336	X-CS0RCH412J	CC 100 PF 50V CH
<b>CAPACITORS</b>			C337	X-CS0RCH412J	CC 100 PF 50V CH
C001	X-CS0RB0414K	CC 0.01 UF 50V B	C338	X-CS0RB0413K	CC 0.001 UF 50V B
C002	X-E02LT0222M	CE 2200 UF 6.3V	C339	X-CS0RB0315K	CC 0.1 UF 25V B
C003	X-E50HU52R2M	CE 2.2 UF 50V	C351	X-E02LT1471M	CE 470 UF 10V
C004	X-P1S3T0223J	CP 0.022 UF 50V	C352	X-CS0RB0216K	CC 1 UF 16V B
C005	X-CS0RCH412J	CC 100 PF 50V CH	C353	X-CS0RB0216K	CC 1 UF 16V B
C006	X-CS0RCH412J	CC 100 PF 50V CH	C355	X-E50HU2220M	CE 22 UF 16V
C007	X-CS0RB0315K	CC 0.1 UF 25V B	C363	X-CS0RB0216K	CC 2 UF 16V B
C008	X-CS0RB0414K	CC 0.01 UF 50V B	C364	X-E02LT4101M	CE 100 UF 35V
C101	X-CS0RB04H4K	CC 0.022 UF 50V B	C365	X-CS0RB0216K	CC 1 UF 16V B
C107	X-CS0RB0414K	CC 0.01 UF 50V B	C366	X-E50HU52R2M	CE 2.2 UF 50V
C108	X-CS0RCH4K2J	CC 270 PF 50V CH	C367	X-E02LT4471M	CE 470 UF 35V
C109	X-CS0RCH4K2J	CC 270 PF 50V CH	C368	X-E02LF4102M	CE 1000 UF 35V
C111	X-E50HU5010M	CE 1 UF 50V	C369	X-E02LF4102M	CE 1000 UF 35V
C112	X-CS0RB04H3K	CC 0.0022UF 50V B	C380	X-CS0RB0315K	CC 0.1 UF 25V B
C113	X-CS0RCH4G1J	CC 18 PF 50V CH	C384	X-CS0RB0315K	CC 0.1 UF 25V B
C114	X-CS0RCH4G1J	CC 18 PF 50V CH	C401	X-C0JTL5H1K	CC 22 PF 500V SL
C116	X-P6M9T0684J	CMPL 0.68 UF 50V TF	C402	X-C0JTB05Q2K	CC 470 PF 500V B
C117	X-P6M9T0684J	CMPL 0.68 UF 50V TF	C403	X-E5EZTD010M	CE 1 UF 250V
C118	X-E02LT0222M	CE 2200 UF 6.3V	C405	X-CS0RCH4S2J	CC 560 PF 50V CH
C119	X-P6M9T0684J	CMPL 0.68 UF 50V TF	C406	X-E02LT5010M	CE 1 UF 50V
C120	X-CS0RB0216K	CC 1 UF 16V B	C407	X-E02LT4101M	CE 100 UF 35V
C121	X-CS0RCH422J	CC 200 PF 50V CH	△ C408	X-E5EZF3222M	CE 2200 UF 25V
C122	X-E50HU5010M	CE 1 UF 50V	C409	X-E02LT5220M	CE 22 UF 50V
C123	X-E50HU2100M	CE 10 UF 16V	C410	X-CS0RCH4H2J	CC 220 PF 50V CH
C124	X-CS0RB0315K	CC 0.1 UF 25V B	C411	X-C0JTL511D	CC 10 PF 500V SL
C128	X-CS0RB0413K	CC 0.001 UF 50V B	C412	X-E53FF56R8K	CE 6.8 UF 50V NP
C130	X-CS0RCH4H2J	CC 220 PF 50V CH	△ C413	X-E02LF4222M	CE 2200 UF 35V
C131	X-CS0RCH4H2J	CC 220 PF 50V CH	C414	X-P613T1104J	CMPL 0.1 UF 100V TF
C132	X-CS0RCH4W2J	CC 820 PF 50V CH	C415	X-C0JTB0512K	CC 100 PF 500V B
C136	X-CS0RCH4H1J	CC 22 PF 50V CH	C416	X-C0JTB05Q2K	CC 470 PF 500V B
C137	X-CS0RCH4H1J	CC 22 PF 50V CH	C417	X-P613T1224J	CMPL 0.22 UF 100V TF
C138	X-CHGTY0214M	CC 0.01 UF 16V Y	C418	X-P411F4224F	CMPP 0.22 UF 400V ECWF
C201	X-CS0RB0414K	CC 0.01 UF 50V B	C419	X-C0JTB0513K	CC 0.001 UF 500V B
C202	X-CS0RB0414K	CC 0.01 UF 50V B	△ C420	X-P414F9103H	CMPP 0.01 UF 1.6KV ECWH
C203	X-E02LT2101M	CE 100 UF 16V	△ C421	X-P3N1F5183J	CPP 0.018 UF 630V
C204	X-E50HU2100M	CE 10 UF 16V	C422	X-P411F4224F	CMPP 0.22 UF 400V ECWF
C205	X-CS0RCH430C	CC 3 PF 50V CH	△ C423	X-P414F9113H	CMPP 0.011 UF 1.6KV ECWH
C206	X-CS0RB0315K	CC 0.1 UF 25V B	△ C424	X-P3N1F5183J	CPP 0.018 UF 630V
C207	X-CS0RCH450C	CC 5 PF 50V CH	C425	X-C0JLYR713K	CC 0.001 UF 2KV YR
C208	X-CS0RB0414K	CC 0.01 UF 50V B	△ C426	X-E5EZF220M	CE 22 UF 250V
C209	X-E50HU5R47M	CE 0.47 UF 50V	C427	X-P613T1104J	CMPL 0.1 UF 100V TF
C210	X-CS0RB04H3K	CC 0.0022UF 50V B	△ C428	X-E02LT3471M	CE 470 UF 25V
C211	X-E50HU5R22M	CE 0.22 UF 50V	△ C430	X-E02LT8220M	CE 22 UF 100V
C212	X-CS0RB0315K	CC 0.1 UF 25V B	C434	X-E02LT4101M	CE 100 UF 35V
C213	X-E02LU1101M	CE 100 UF 10V	C436	X-E50HT2470M	CE 47 UF 16V
C214	X-E50HU2100M	CE 10 UF 16V	C438	X-CS0RB0413K	CC 0.001 UF 50V B
C215	X-CS0RCH4L1J	CC 33 PF 50V CH	C439	X-CHGTB0413K	CC 0.001 UF 50V B
C216	X-E50HU2100M	CE 10 UF 16V	△ C501	X-E02LF4222M	CE 2200 UF 35V
C218	X-CS0RB0414K	CC 0.01 UF 50V B	△ C502	X-C0JBB0713K	CC 0.001 UF 2KV B
C220	X-CS0RB0315K	CC 0.1 UF 25V B	△ C503	X-C0JBB0713K	CC 0.001 UF 2KV B
C221	X-CS0RB0414K	CC 0.01 UF 50V B	C504	X-E50HU5010M	CE 1 UF 50V
C222	X-CS0RB0414K	CC 0.01 UF 50V B	△ C505	X-P2122B104M	CMP 0.1 UF 250V ECQUL
C302	X-E02LT2471M	CE 470 UF 16V	△ C506	X-P2122B104M	CMP 0.1 UF 250V ECQUL
C303	X-E02LU2470M	CE 47 UF 16V	△ C507	X-E51SFC821M	CE 820 UF 200V
C304	X-E62KU52R2M	CE 2.2 UF 50V	C509	X-CS0RB04S3K	CC 0.0056UF 50V B
C305	X-E62KU52R2M	CE 2.2 UF 50V	△ C510	X-E5EZT4101M	CE 100 UF 35V

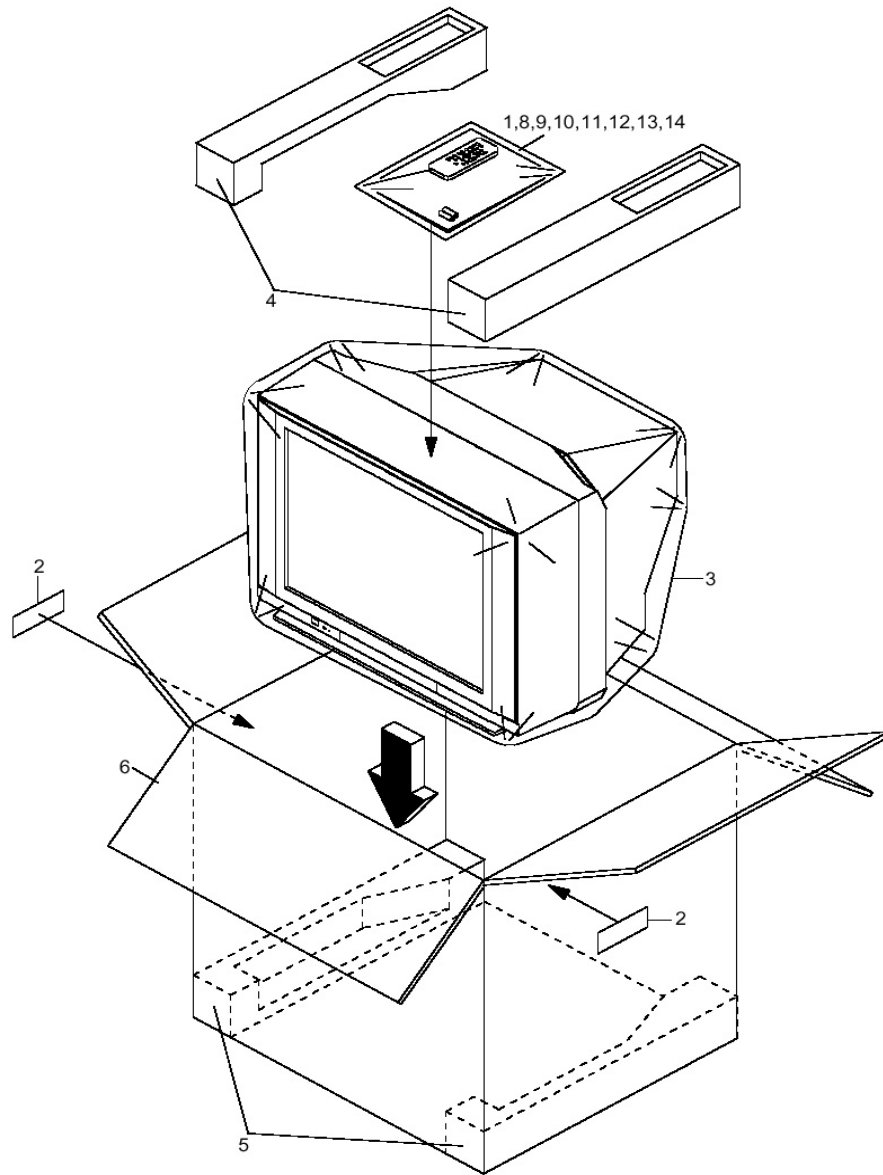
REF. NO.	PART NO.	DESCRIPTION	REF. NO.	PART NO.	DESCRIPTION
		<b>CAPACITORS</b>			<b>CAPACITORS</b>
C511	X-CS0RCH4H2J	CC 220 PF 50V CH	C733	X-E02LT2101M	CE 100 UF 16V
C512	X-CS0RCH4Q2J	CC 470 PF 50V CH	C734	X-CS0RB0414K	CC 0.01 UF 50V B
△ C513	X-C034E0J13M	CC 0.001 UF 125V MX	C735	X-E50HU2220M	CE 22 UF 16V
△ C514	X-C034E0J13M	CC 0.001 UF 125V MX	C737	X-E50HU5010M	CE 1 UF 50V
△ C516	X-C0JTB0512K	CC 100 PF 500V B	C738	X-E50HU52R2M	CE 2.2 UF 50V
C517	X-C0JLYR7H3K	CC 0.0022UF 2KV YR	C739	X-E50HU5010M	CE 1 UF 50V
△ C519	X-C034E0J13M	CC 0.001 UF 125V MX	C740	X-E50HU52R2M	CE 2.2 UF 50V
△ C521	X-E62NFB101M	CE 100 UF 160V	C741	X-E50HU53R3M	CE 3.3 UF 50V
△ C522	X-C034E0J13M	CC 0.001 UF 125V MX	C742	X-CS0RB04S3K	CC 0.0056UF 50V B
△ C523	X-E62NFB101M	CE 100 UF 160V	C743	X-E50HU52R2M	CE 2.2 UF 50V
C524	X-CS0RB04H3K	CC 0.0022UF 50V B	C744	X-E50HU52R2M	CE 2.2 UF 50V
△ C527	X-E5EZF2222M	CE 2200 UF 16V	C745	X-E50HU52R2M	CE 2.2 UF 50V
C529	X-E02LT2471M	CE 470 UF 16V	C746	X-CS0RB04S3K	CC 0.0056UF 50V B
C530	X-E02LT1471M	CE 470 UF 10V	C747	X-E50HU52R2M	CE 2.2 UF 50V
△ C531	X-E02LT2471M	CE 470 UF 16V	C748	X-CS0RB0315K	CC 0.1 UF 25V B
△ C532	X-E02LT0102M	CE 1000 UF 6.3V	C750	X-CS0RB0216K	CC 1 UF 16V B
C533	X-E50HU2100M	CE 10 UF 16V	C783	X-E02LT1471M	CE 470 UF 10V
C535	X-C0JLYR7H3K	CC 0.0022UF 2KV YR	C784	X-E50HU52R2M	CE 2.2 UF 50V
C536	X-C0JLYR713K	CC 0.001 UF 2KV YR	C785	X-E50HU52R2M	CE 2.2 UF 50V
C554	X-CS0RB04H3K	CC 0.0022UF 50V B	C793	X-CS0RCH4L1J	CC 33 PF 50V CH
C601	X-CS0RB0315K	CC 0.1 UF 25V B	C804	X-CS0RCH4L2J	CC 330 PF 50V CH
C602	X-CS0RB0315K	CC 0.1 UF 25V B	C805	X-CS0RCH4L2J	CC 330 PF 50V CH
C603	X-CS0RB0315K	CC 0.1 UF 25V B	C806	X-CS0RCH4U2J	CC 680 PF 50V CH
C604	X-E50HU5010M	CE 1 UF 50V	C808	X-C0JBB0713K	CC 0.001 UF 2KV B
C605	X-CS0RB0315K	CC 0.1 UF 25V B	C809	X-E02LT2R2M	CE 2.2 UF 250V
C606	X-CS0RB0315K	CC 0.1 UF 25V B	C813	X-P1S3T0222J	CP 0.0022UF 50V
C607	X-CS0RB0414K	CC 0.01 UF 50V B	C815	X-CHGTB04L2K	CC 330 PF 50V B
C608	X-E50HU5010M	CE 1 UF 50V	C821	X-CHGTB0413K	CC 0.001 UF 50V B
C609	X-CS0RB04H4K	CC 0.022 UF 50V B	C822	X-C0JTB04H2K	CC 220 PF 50V B
C610	X-P6M9T0684J	CMPL 0.68 UF 50V TF	C823	X-CHGTB0412J	CC 100 PF 50V B
C611	X-P6M9T0474J	CMPL 0.47 UF 50V TF	C851	X-P1S3T0822J	CP 0.0082UF 50V
C612	X-E50HU52R2M	CE 2.2 UF 50V	C852	X-E02LT2470M	CE 47 UF 16V
C613	X-CS0RB0216K	CC 1 UF 16V B	C853	X-E02LT2470M	CE 47 UF 16V
C615	X-E02LU1101M	CE 100 UF 10V	C854	X-E02LTB100M	CE 10 UF 160V
C616	X-E50HU2470M	CE 47 UF 16V	C855	X-CS0RCH4S2J	CC 560 PF 50V CH
C617	X-CS0RB0414K	CC 0.01 UF 50V B	C856	X-CS0RB0414K	CC 0.01 UF 50V B
C618	X-CS0RB0414K	CC 0.01 UF 50V B	C857	X-CS0RB0413K	CC 0.001 UF 50V B
C619	X-E02LT0102M	CE 1000 UF 6.3V	C858	X-C0JTB0412J	CC 100 PF 50V CH
C620	X-CS0RB0315K	CC 0.1 UF 25V B	C859	X-C0JTB0412J	CC 100 PF 50V CH
C621	X-CS0RB0315K	CC 0.1 UF 25V B	C860	X-C0JTB05Q3K	CC 0.0047UF 500V B
C622	X-CS0RB0315K	CC 0.1 UF 25V B	C861	X-C0JTB05Q3K	CC 0.0047UF 500V B
C623	X-CS0RB0414K	CC 0.01 UF 50V B	C862	X-E0ELFB470M	CE 47 UF 160V
C624	X-E02LU1101M	CE 100 UF 10V	C863	X-E0ELFB470M	CE 47 UF 160V
C625	X-E00NU54R7M	CE 4.7 UF 50V	C864	X-E02LTB100M	CE 10 UF 160V
C626	X-CS0RB04B4K	CC 0.012 UF 50V B	C865	X-C0JTB05E2K	CC 150 PF 500V B
C627	X-CS0RCH480D	CC 8 PF 50V CH	C866	X-E02LT2471M	CE 470 UF 16V
C629	X-CS0RB04H3K	CC 0.0022UF 50V B	C867	X-CS0RB0315K	CC 0.1 UF 25V B
C630	X-E50HU5R22M	CE 0.22 UF 50V	C868	X-E02LT5R47M	CE 0.47 UF 50V
C631	X-CS0RCH4N1J	CC 39 PF 50V CH	C901	X-E50HU1101M	CE 100 UF 10V
C632	X-CS0RCH4N1J	CC 39 PF 50V CH	C902	X-CS0RB0414K	CC 0.01 UF 50V B
C633	X-CS0RB0315K	CC 0.1 UF 25V B	C903	X-E50HU0101M	CE 100 UF 6.3V
C634	X-CS0RB03H5K	CC 0.22 UF 25V B	C904	X-CS0RB0414K	CC 0.01 UF 50V B
C636	X-CS0RB0315K	CC 0.1 UF 25V B	C905	X-E50HU2100M	CE 10 UF 16V
C637	X-CS0RCH430C	CC 3 PF 50V CH	C906	X-CS0RB0413K	CC 0.001 UF 50V B
C638	X-CS0RCH412J	CC 100 PF 50V CH	C907	X-CS0RB0413K	CC 0.001 UF 50V B
C640	X-E02LT2102M	CE 1000 UF 16V	C908	X-E50HU2100M	CE 10 UF 16V
C642	X-E00NU52R2M	CE 2.2 UF 50V	C909	X-E50HU0101M	CE 100 UF 6.3V
C703	X-CS0RB04S3K	CC 0.0056UF 50V B	C910	X-CS0RB0414K	CC 0.01 UF 50V B
C705	X-E00NU2470M	CE 47 UF 16V	C911	X-CS0RCH4G2J	CC 180 PF 50V CH
C706	X-CS0RCH480D	CC 8 PF 50V CH	C912	X-CS0RB0315K	CC 0.1 UF 25V B
C708	X-CS0RB04S3K	CC 0.0056UF 50V B	C913	X-CS0RB04Q3K	CC 0.0047UF 50V B
C711	X-E02LU2101M	CE 100 UF 16V	C914	X-CS0RB0315K	CC 0.1 UF 25V B
C713	X-E50HU2100M	CE 10 UF 16V	C915	X-CS0RB0414K	CC 0.01 UF 50V B
C714	X-E50HU2100M	CE 10 UF 16V	C916	X-CS0RB0414K	CC 0.01 UF 50V B
C715	X-E02LT2471M	CE 470 UF 16V	C917	X-E50HU54R7M	CE 4.7 UF 50V
C717	X-CS0RCH4L1J	CC 33 PF 50V CH	C918	X-E50HU54R7M	CE 4.7 UF 50V
C720	X-CS0RCH4L1J	CC 33 PF 50V CH	C919	X-E50HU52R2M	CE 2.2 UF 50V
C722	X-CS0RB0216K	CC 1 UF 16V B	C921	X-E211T2100K	CTANTAL 10 UF 16V
C723	X-CS0RCH4Q1J	CC 47 PF 50V CH	C922	X-CS0RB04H4K	CC 0.022 UF 50V B
C724	X-E50HU5010M	CE 1 UF 50V	C924	X-E02LU1101M	CE 100 UF 10V
C725	X-E50HU5010M	CE 1 UF 50V	C925	X-E50HU5R33M	CE 0.33 UF 50V
C726	X-CS0RB04S3K	CC 0.0056UF 50V B	C926	X-CS0RB04Q4K	CC 0.047 UF 50V B
C727	X-CS0RB04S3K	CC 0.0056UF 50V B	C927	X-CS0RB04H4K	CC 0.022 UF 50V B
C728	X-E50HU5010M	CE 1 UF 50V	C928	X-CS0RB0315K	CC 0.1 UF 25V B
C729	X-E00NU5R47M	CE 0.47 UF 50V	C929	X-E211T23R3K	CTANTAL 3.3 UF 16V
C730	X-E50HU50R1M	CE 0.1 UF 50V	C930	X-CS0RB0315K	CC 0.1 UF 25V B
C731	X-CS0RB0414K	CC 0.01 UF 50V B	C931	X-CS0RB0315K	CC 0.1 UF 25V B

REF. NO.	PART NO.	DESCRIPTION		REF. NO.	PART NO.	DESCRIPTION	
<b>CAPACITORS</b>				<b>DIODES</b>			
C932	X-CSORB0315K	CC	0.1 UF 25V B	D603	X-D97U06R21B	DIODE,ZENER	MTZJ6.2B T-77
C935	X-E50HT54R7M	CE	4.7 UF 50 V	D604	X-D97U06R21B	DIODE,ZENER	MTZJ6.2B T-77
C936	X-CSORB0414K	CC	0.01 UF 50V B	D605	X-D2WT011E10	DIODE,SILICON	11E1-EIC
C937	X-CSORB0414K	CC	0.01 UF 50V B	D609	X-D97U06R21B	DIODE,ZENER	MTZJ6.2B T-77
C938	X-CSORCH4H1J	CC	22 PF 50V CH	D610	X-D97U06R21B	DIODE,ZENER	MTZJ6.2B T-77
C939	X-CSORB0414K	CC	0.01 UF 50V B	D611	X-D1VT001330	DIODE,SILICON	1SS133T-77
C940	X-CSORB0414K	CC	0.01 UF 50V B	D612	X-D97U06R21B	DIODE,ZENER	MTZJ6.2B T-77
C941	X-E50HU2100M	CE	10 UF 16V	D613	X-D1VT001330	DIODE,SILICON	1SS133T-77
C942	X-CSORB0315K	CC	0.1 UF 25V B	D614	X-D1VT001330	DIODE,SILICON	1SS133T-77
C943	X-CSORB0414K	CC	0.01 UF 50V B	D711	X-D97U06R21B	DIODE,ZENER	MTZJ6.2B T-77
C944	X-CSORB0414K	CC	0.01 UF 50V B	D801	X-D1VT001330	DIODE,SILICON	1SS133T-77
C945	X-CSORCH4N1J	CC	39 PF 50V CH	D802	X-D1VT001330	DIODE,SILICON	1SS133T-77
C946	X-E50HU5010M	CE	1 UF 50V	D803	X-D1VT001330	DIODE,SILICON	1SS133T-77
C947	X-E50HU2100M	CE	10 UF 16V	D852	X-D1VT001330	DIODE,SILICON	1SS133T-77
C948	X-CSORB0414K	CC	0.01 UF 50V B	D853	X-D1VT001330	DIODE,SILICON	1SS133T-77
C949	X-E50HU2100M	CE	10 UF 16V	D854	X-D1VT001330	DIODE,SILICON	1SS133T-77
C950	X-CSORB0414K	CC	0.01 UF 50V B	D855	X-D1VT001330	DIODE,SILICON	1SS133T-77
C951	X-CSORCH4H1J	CC	22 PF 50V CH	D856	X-D1VT001330	DIODE,SILICON	1SS133T-77
C952	X-CSORCH4H1J	CC	22 PF 50V CH	D857	X-D28TELS2N2	DIODE RECTIFIER	10ELS2N-TA1B2
C953	X-E50HU2470M	CE	47 UF 16V	D858	X-D28TELS2N2	DIODE RECTIFIER	10ELS2N-TA1B2
C954	X-CSORB0414K	CC	0.01 UF 50V B	<b>ICS</b>			
C955	X-CSORCH4U1J	CC	68 PF 50V CH	IC101	X-I56D07055A	IC	OEC7055A
C957	X-CSORCH4B1J	CC	12 PF 50V CH	IC103	X-I9UJ0T600C	IC	PST600C
C958	X-CSORCH4B1J	CC	12 PF 50V CH	IC199	X-A3J503Q015	IC	S-24C08ADPA-01
C959	X-CSORB0315K	CC	0.1 UF 25V B	IC201	X-I05DC12530	IC	TB1253N
C960	X-CSORCH4Q1J	CC	47 PF 50V CH	IC301	X-I0QF021500	IC	NJM2150AM
C961	X-CSORCH4B1J	CC	12 PF 50V CH	IC303	X-I06DF62420	IC	M62420SP
C962	X-E50HU2100M	CE	10 UF 16V	△ IC353	X-I0FSP52760	IC	AN5276
C963	X-CSORB0414K	CC	0.01 UF 50V B	△ IC401	X-I03TD80410	IC	LA78041
C965	X-CSORB0315K	CC	0.1 UF 25V B	△ IC501	X-I2BT06624G	IC	STR-G6624
C966	X-CSORB0315K	CC	0.1 UF 25V B	△ IC502	X-I1KA97809A	IC	KIA7809API
C967	X-CSORB0315K	CC	0.1 UF 25V B	△ IC503	X-I1KA97805A	IC	KIA7805API
C968	X-E50HU2100M	CE	10 UF 16V	△ IC701	X-I0UD013110	IC	MM1311AD
C969	X-CSORB0315K	CC	0.1 UF 25V B	△ IC851	X-I1KJ98L120	IC	KIA78L12BP-AT
C970	X-CQGTB0415K	CC	0.1 UF 50V B	IC901	X-I05FE90A53	IC	TC90A53F
<b>DIODES</b>				IC902	X-I01FF58290	IC	AN5829S
D001	X-D94TA30013	DIODE,ZENER	HZ30-3L TD	IC903	X-I1K998L050	IC	KIA78L05BP-AT
D102	X-D1VT001330	DIODE,SILICON	1SS133T-77	<b>TRANSISTORS</b>			
D103	X-D1VT001330	DIODE,SILICON	1SS133T-77	Q101	X-T8YJ2412K0	TRANSISTOR,SILICON	2SC2412KT146 R,S
D104	X-D1VT001330	DIODE,SILICON	1SS133T-77	Q102	X-T8YJ2412K0	TRANSISTOR,SILICON	2SC2412KT146 R,S
D106	X-DD7R0S3550	DIODE,SILICON	1SS355 TE-17	Q103	X-TNYJB05001	COMPOUND TRANSISTOR	DTC114EKAT146
D107	X-D1VT001330	DIODE,SILICON	1SS133T-77	Q105	X-T6YJ1037K0	TRANSISTOR,SILICON	2SA1037AKT146R,S
D109	X-0021721150	LED	SLR-342VCT32	Q107	X-TNYJJ05001	COMPOUND TRANSISTOR	DTC114TKAT146
D201	X-D97U01201B	DIODE,ZENER	MTZJ12B T-77	Q108	X-T8YJ2412K0	TRANSISTOR,SILICON	2SC2412KT146 R,S
△ D401	X-D97U02701B	DIODE,ZENER	MTZJ11B T-77	Q109	X-T8YJ2412K0	TRANSISTOR,SILICON	2SC2412KT146 R,S
D402	X-D2WT011E10	DIODE,SILICON	11E1-EIC	Q201	X-T8YJ2412K0	TRANSISTOR,SILICON	2SC2412KT146 R,S
D404	X-D97U09R11B	DIODE,ZENER	MTZJ9.1B T-77	Q202	X-T8YJ2412K0	TRANSISTOR,SILICON	2SC2412KT146 R,S
△ D405	X-D2WTAU02A0	DIODE,SILICON	AU02A-EIC	Q203	X-T6YJ1037K0	TRANSISTOR,SILICON	2SA1037AKT146R,S
△ D406	X-D97U01101B	DIODE,ZENER	MTZJ11B T-77	Q204	X-T83A028140	TRANSISTOR,SILICON	2SC2814(F3,F4)-T
△ D407	X-D2WTAU02A0	DIODE,SILICON	AU02A-EIC	Q351	X-TNYJJ05001	COMPOUND TRANSISTOR	DTC114TKAT146
△ D408	X-D2BFRS4FS0	DIODE,SILICON	RS-4FS	Q401	X-TA5T010154	TRANSISTOR,SILICON	2SA1015Y(TPE2)
△ D409	X-D2BFRU4AM0	DIODE,SILICON	RU-4AM	△ Q402	X-TC3Q026210	TRANSISTOR,SILICON	2SC2621(D,E)-RAC
△ D411	X-D2WTAU02A0	DIODE,SILICON	AU02A-EIC	Q403	X-TA5T010154	TRANSISTOR,SILICON	2SA1015Y(TPE2)
△ D412	X-D2WTAU02A0	DIODE,SILICON	AU02A-EIC	Q404	X-TC30041590	TRANSISTOR,SILICON	2SC4159(D,E)
△ D501	X-D2WTRM11C0	DIODE,SILICON	RM11C-EIC	△ Q405	X-TD50025530	TRANSISTOR,SILICON	2SD2553
△ D502	X-D2WTRM11C0	DIODE,SILICON	RM11C-EIC	Q406	X-TPYJD05001	COMPOUND TRANSISTOR	DTA144EKAT146
△ D503	X-D2WTRM11C0	DIODE,SILICON	RM11C-EIC	△ Q501	X-TD3T007340	TRANSISTOR,SILICON	2SD734(E,F)-AA
△ D504	X-D2WTRM11C0	DIODE,SILICON	RM11C-EIC	△ Q502	X-0002500560	PHOTO COUPLER	TLP621(D4-GR-LF2)
△ D505	X-D28F21DQN9	DIODE SCHOTTKY	21DQ09N-FC4	Q504	X-TC5T018154	TRANSISTOR,SILICON	2SC1815Y(TPE2)
△ D506	X-D28TELS2N2	DIODE RECTIFIER	10ELS2N-TA1B2	△ Q507	X-TC5T018154	TRANSISTOR,SILICON	2SC1815Y(TPE2)
D507	X-D1VT001330	DIODE,SILICON	1SS133T-77	△ Q508	X-TBWT009260	TRANSISTOR,SILICON	2SB926(S,T)-AA
D508	X-D1VT001330	DIODE,SILICON	1SS133T-77	Q509	X-TNYJB05001	COMPOUND TRANSISTOR	DTC114EKAT146
△ D510	X-D28F30DF60	DIODE RECTIFIER	30DF6-FC	△ Q510	X-TD3T007340	TRANSISTOR,SILICON	2SD734(E,F)-AA
D511	X-D28TELS6N6	DIODE RECTIFIER	10ELS6N-TA1B2	Q604	X-T8YJ2412K0	TRANSISTOR,SILICON	2SC2412KT146 R,S
△ D512	X-D28T21DQN9	DIODE SCHOTTKY	21DQ09N-TA2B1	Q701	X-T8YJ2412K0	TRANSISTOR,SILICON	2SC2412KT146 R,S
D513	X-D97U05R61B	DIODE,ZENER	MTZJ5.6B T-77	Q704	X-T8YJ2412K0	TRANSISTOR,SILICON	2SC2412KT146 R,S
△ D514	X-D28T21DQN9	DIODE SCHOTTKY	21DQ09N-TA2B1	Q705	X-T8YJ2412K0	TRANSISTOR,SILICON	2SC2412KT146 R,S
D515	X-D2BTRU2YX0	DIODE,SILICON	RU2YX-V1	Q709	X-T6YJ1037K0	TRANSISTOR,SILICON	2SA1037AKT146R,S
D516	X-D1VT001330	DIODE,SILICON	1SS133T-77	△ Q801	X-TC3Q026210	TRANSISTOR,SILICON	2SC2621(D,E)-RAC
D517	X-D1VT001330	DIODE,SILICON	1SS133T-77	△ Q802	X-TC3Q026210	TRANSISTOR,SILICON	2SC2621(D,E)-RAC
D518	X-D1VT001330	DIODE,SILICON	1SS133T-77	△ Q803	X-TC3Q026210	TRANSISTOR,SILICON	2SC2621(D,E)-RAC
D519	X-D1VT001330	DIODE,SILICON	1SS133T-77	△ Q810	X-TCYT1740S0	TRANSISTOR,SILICON	2SC1740SP TP
D520	X-D1VT001330	DIODE,SILICON	1SS133T-77	△ Q811	X-TCYT1740S0	TRANSISTOR,SILICON	2SC1740SP TP
△ D521	X-D1VT001330	DIODE,SILICON	1SS133T-77	△ Q812	X-TCYT1740S0	TRANSISTOR,SILICON	2SC1740SP TP
D525	X-D97U05R11B	DIODE,ZENER	MTZJ5.1B T-77	Q851	X-TC5T018154	TRANSISTOR,SILICON	2SC1815Y(TPE2)
D528	X-D97U05R61B	DIODE,ZENER	MTZJ5.6B T-77	Q852	X-TC5T018154	TRANSISTOR,SILICON	2SC1815Y(TPE2)
D602	X-D97U06R21B	DIODE,ZENER	MTZJ6.2B T-77	Q853	X-TCU00752Y	TRANSISTOR,SILICON	2SC752(G)(TM)_Y



REF. NO.	PART NO.	DESCRIPTION	REF. NO.	PART NO.	DESCRIPTION
<b>TRANSISTORS</b>			<b>MISCELLANEOUS</b>		
Q854	X-TC5T018154	TRANSISTOR,SILICON 2SC1815Y(TPE2)	B401	X-024AT03655	CORE,BEADS BL01RN1-A63T6
Q855	X-TC5T018154	TRANSISTOR,SILICON 2SC1815Y(TPE2)	B501	X-024AT03481	CORE,BEADS BL02RN1-R62T2
Q856	X-TC5T018154	TRANSISTOR,SILICON 2SC1815Y(TPE2)	B502	X-024AT03482	CORE,BEADS BL02RN2-R62T4
Q857	X-TA5T010154	TRANSISTOR,SILICON 2SA1015Y(TPE2)	B504	X-024AT03655	CORE,BEADS BL01RN1-A63T6
Q858	X-TAU0018370	TRANSISTOR,SILICON 2SA1837	B505	X-024AT03482	CORE,BEADS BL02RN2-R62T4
Q859	X-TCU0047930	TRANSISTOR,SILICON 2SC4793	B851	X-024AT03655	CORE,BEADS BL01RN1-A63T6
Q901	X-T8YJ2412K0	TRANSISTOR,SILICON 2SC2412KT146 R,S	B852	X-024AT03655	CORE,BEADS BL01RN1-A63T6
Q903	X-T6YJ1037K0	TRANSISTOR,SILICON 2SA1037AKT146R,S	B853	X-024AT03655	CORE,BEADS BL01RN1-A63T6
Q904	X-T6YJ1037K0	TRANSISTOR,SILICON 2SA1037AKT146R,S	BT001	X-141L003010	BATTERY,MANGAN R6P(AR)XICI
Q905	X-T8YJ2412K0	TRANSISTOR,SILICON 2SC2412KT146 R,S	BT002	X-141L003010	BATTERY,MANGAN R6P(AR)XICI
Q906	X-T8YJ2412K0	TRANSISTOR,SILICON 2SC2412KT146 R,S	CD351	X-06CU14411A	CORD CONNECTOR CU14411A
Q907	X-T8YJ2412K0	TRANSISTOR,SILICON 2SC2412KT146 R,S	△ CD501	X-120R614909	CORD AC 0R614909
Q908	X-T8YJ2412K0	TRANSISTOR,SILICON 2SC2412KT146 R,S	CD801	X-122E065601	CORD JUMPER 2E065601
Q909	X-T6YJ1037K0	TRANSISTOR,SILICON 2SA1037AKT146R,S	CD802	X-122E075701	CORD JUMPER 2E075701
Q910	X-T6YJ1037K0	TRANSISTOR,SILICON 2SA1037AKT146R,S	△ CD803	X-06CP83035A	CORD CONNECTOR CP83035A
Q911	X-T8YJ2412K0	TRANSISTOR,SILICON 2SC2412KT146 R,S	CD851	X-122E053701	CORD JUMPER 2E053701
Q912	X-T6YJ1037K0	TRANSISTOR,SILICON 2SA1037AKT146R,S	CD852	X-122E032001	CORD JUMPER 2E032001
Q913	X-T8YJ2412K0	TRANSISTOR,SILICON 2SC2412KT146 R,S	CF201	X-1011T4R504	FILTER,CERAMIC EFCT4R5YSS5A
<b>COILS &amp; TRANSFORMERS</b>			CF202	X-1022T45R71	FILTER,SAW SAF45MFX220ZR
L101	X-021LA64R7K	COIL 4.7 UH	CF203	X-1011T4R517	FILTER,CERAMIC EFCT4R5MW5
L201	X-02167F101J	COIL 100 UH	CF204	X-1012T04702	FILTER,CERAMIC TRAP MKT47.3MC110P-TF
L202	X-02161CR82M	COIL 0.82 UH	CP101	X-0694260139	CONNECTOR PCB SIDE 173979-6
L203	X-021LA62R2K	COIL 2.2 UH	CP351	X-069W14T299	CONNECTOR PCB SIDE TID-X04P-Z1
L204	X-021LA6120K	COIL 12 UH	△ CP401	X-069X460029	CONNECTOR PCB SIDE B06B-DV5-L
L205	X-021673470K	COIL 47 UH	△ CP501	X-0697320039	CORD UX CONNECTOR THL-P03P-B1
L301	X-021LA6470K	COIL 47 UH	CP502	X-069W420029	CONNECTOR PCB SIDE TV-50P-02-A1
L302	X-021LA6220K	COIL 22 UH	CP503	X-069W010010	CONNECTOR PCB SIDE 005P-2100
L401	X-02D1000001	COIL ELC16B501EN	CP504	X-069W010010	CONNECTOR PCB SIDE 005P-2100
L402	X-022100034A	COIL,LINEARITY ELH5L4132N	CP505	X-069W010010	CONNECTOR PCB SIDE 005P-2100
△ L501	X-029X000098	COIL,LINE FILTER SS28H-20075	CP801	X-069R260589	CONNECTOR PCB SIDE 52147-0610
L503	X-028R250009	COIL,DEGAUSS 8R250009	CP802	X-069R270589	CONNECTOR PCB SIDE 52147-0710
L505	X-021673101K	COIL 100 UH	CP803	X-069W330018	CONNECTOR PCB SIDE TS-80P-03-V1
L601	X-021673470K	COIL 47 UH	CP804	X-069W010010	CONNECTOR PCB SIDE 005P-2100
L602	X-021673101K	COIL 100 UH	CP851	X-069R250589	CONNECTOR PCB SIDE 52147-0510
L603	X-021673470K	COIL 47 UH	CP852	X-069R230589	CONNECTOR PCB SIDE 52147-0310
L604	X-021673470K	COIL 47 UH	CP901	X-069J160260	CONNECTOR PCB SIDE 6035B-06Z002-T
L701	X-021673101J	COIL 100 UH	CP902	X-069J130260	CONNECTOR PCB SIDE 6035B-03Z002-T
L703	X-021673470K	COIL 47 UH	CD701A	X-06CH243001	CORD CONNECTOR CH243001
L802	X-021673151K	COIL 150 UH	CP801A	X-067R006019	WIRE HOLDER 51048-0610
L803	X-021673151K	COIL 150 UH	CP802A	X-067R007019	WIRE HOLDER 51048-0710
L804	X-021673151K	COIL 150 UH	CP851A	X-067R005019	WIRE HOLDER 51048-0510
L810	X-02AXB9A971	CORE FERRITE ESD-R-30SD	CP852B	X-067R003019	WIRE HOLDER 51048-0300
L901	X-021LA6220K	COIL 22 UH	EL001	X-124120301A	EYE LET XRY20X30BD
L903	X-021LA6150K	COIL 15 UH	EL002	X-124116281A	EYE LET XRY16X28BD
L904	X-021LA6220K	COIL 22 UH	△ F501	X-081PC6R304	FUSE 51MS063LCC
L905	X-021LA6150K	COIL 15 UH	△ FB401	X-043224002R	TRANSFORMER,FLYBACK 3224002R
L907	X-021LA6270K	COIL 27 UH	△ FH501	X-06710T0006	HOLDER,FUSE EYF-52BC
L908	X-021LA6180K	COIL 18 UH	FH502	X-06710T0006	HOLDER,FUSE EYF-52BC
L909	X-021LA6150K	COIL 15 UH	OS101	X-077Q014003	REMOTE RECEIVER PIC-28143SY-2
L910	X-021LA6150K	COIL 15 UH	△ RY501	X-0560V20115	RELAY ALKS321
L912	X-021LA6150K	COIL 15 UH	△ SP351	X-070W457001	SPEAKER MSF-2D5SB10
T401	X-0450190151	TRANS,HORIZONTAL DRIVE ETH19Y202AY	△ SP352	X-070W457001	SPEAKER MSF-2D5SB10
△ T501	X-0481400614	TRANSFORMER,SWITCHING 81400614	△ TH501	X-DF40B3R0Q0	DEGAUSS ELEMENT PTBD14K2-3R0Q141
<b>JACKS</b>			△ TU001	X-0145W00052	TUNER,VHF-UHF NJH3022U268
△ J351	X-0602131011	HEADPHONE JACK HSJ2000-01-010	△ V801	X-098W240401	CRT W/DY A60LST196X11(O)
J701	X-0602431011	JACK RCA JPJ4312-01-432	X101	X-100CT8R005	CRYSTAL HC-49/U-S
J702	X-063Q700002	JACK YKF51-5503	X601	X-100CT3R505	CRYSTAL HC-49/C
J703	X-0602431011	JACK RCA JPJ4312-01-432	<b>RESISTOR</b>		
J704	X-060X411015	RCA JACK JPJ4311-011852	RC.....	CARBON RESISTOR	
J705	X-0602431011	JACK RCA JPJ4312-01-432	<b>CAPACITORS</b>		
J710	X-060G401047	RCA JACK HTJ-032-03AY	CC.....	CERAMIC CAPACITOR	
J711	X-060G401046	RCA JACK HTJ-032-03AW	CE.....	ALUMI ELECTROLYTIC CAPACITOR	
J712	X-060G401039	RCA JACK HTJ-032-03AR	CP.....	POLYESTER CAPACITOR	
△ J801	X-066C130017	SOCKET,CATHODE RAY TUBE CVT3275-5101	CPP.....	POLYPROPYLENE CAPACITOR	
<b>SWITCHES</b>			CPL.....	PLASTIC CAPACITOR	
SW101	X-0504201T31	SWITCH,TACT SKHVBED010	CMP.....	METAL POLYESTER CAPACITOR	
SW102	X-0504201T31	SWITCH,TACT SKHVBED010	CMPL.....	METAL PLASTIC CAPACITOR	
SW103	X-0504201T31	SWITCH,TACT SKHVBED010	CMPP.....	METAL POLYPROPYLENE CAPACITOR	
SW104	X-0504201T31	SWITCH,TACT SKHVBED010			
SW105	X-0504201T31	SWITCH,TACT SKHVBED010			
<b>VARIABLE RESISTORS</b>					
VR502	X-V1163Q3BTC	VOLUME,SEMI FIXED EVNCYAA03BQ3			
<b>P.C.BOARD ASSEMBLIES</b>					
PCB010	X-A3J503Q01A	PCB ASSY TMX481A			
PCB060	X-A3J503Q06A	PCB ASSY TEXA52A			
PCB110	X-A3J503Q11A	PCB ASSY TCX341A			
PCB330	X-A3J503Q33A	PCB ASSY TEXA48A			

## ACCESSORY REPLACEMENT PARTS LIST



REF. NO.	PART NO.	DESCRIPTION
1	X-076G0EC010	REMOCON RM-C309G
2	X-7230007240	SHEET,UPC
3	X-791WHA0092	LAMIFILM,BAG
4	X-792WHA0309	PACKAGE, TOP
5	X-792WHA0310	PACKAGE,BOTTOM
6	X-793WCD1324	GIFT BOX
8	X-JB5KD500	POLYBAG
9	X-J3J50301	INSTRUCTION BOOK
10	X-J5500112	GUARANTEE CARD
11	X-J5500115	SERVICE STATION LIST
12	X-J5500117	REGISTRATION CARD
13	X-J5501202	GUARANTEE CARD

MEMO

MEMO